

Effective June 1, 1990

GEARED TROLLEY T3 SERIES 8T ~ 20T PARTS LIST

IMPORTANT

When ordering replacement parts, please specify the following points:

1. Trolley capacity.
2. Model number in name plate.
3. Correct part names and numbers.
4. Lineal length of hand chain.

HARRINGTON HOISTS, INC.

HARRINGTON

PEERLESS HOIST PRODUCTS

401 WEST END AVENUE MANHEIM, PA 17545

PHONE (AREA 717) 665-2000 TELECY 68881170

A FOR MANUAL HOIST CB

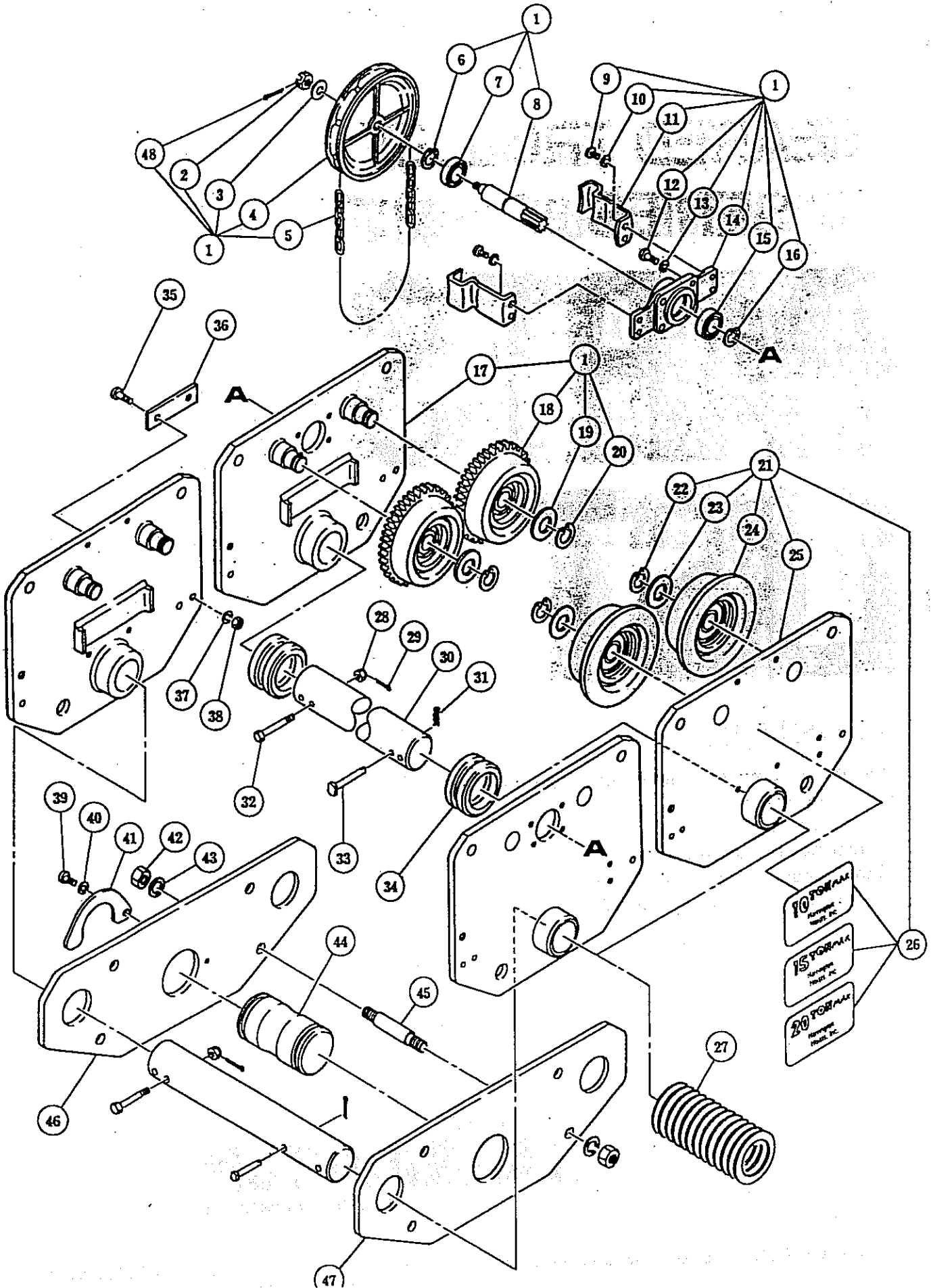


Fig No.	Part No.	Part Name	Nos per Trolley			Capacity		
			10 ^T	15 ^T	20 ^T	10 ^T	15 ^T	20 ^T
1	T3G1111	Side plate G complete set	1	2		1 a		
2	T3G151	Slotted nut	1	2		2 a		
3	9012515	Washer	1	2		3 a		
4	T3G123	Hand wheel	1	2		4 a		
5	CF842	Hand chain	1	2		5 a		
6	9047134	Snap ring	2	4		6 a		
7	9000506	Ball bearing	1	2		7 a		
8	T3G127	Pinion	1	2		8 a		
9	9091272	Socket bolt	4	8		9 a		
10	9012711	Spring washer	4	8		10a		
11	T3G125	Hand chain guide	2	4		11a		
12	9091295	Socket bolt	4	8		12a		
13	9012712	Spring washer	4	8		13a		
14	T3G128	Pinion holder	1	2		14a		
15	9000506	Ball bearing	1	2		15a		
16	9047134	Snap ring	2	4		16a		
17	T3G5111	Side plate G assembly	1	2		17a		
18	T3G1101	Track wheel G assembly	2	4		18a		
19	MS104075	Washer	4	8		19a		
20	9047140	Snap ring	4	8		20a		
21	T3G1110	Side plate B complete set	1	2		21a		
22	9047140	Snap ring	4	8		22a		
23	MS104075	Washer	4	8		23a		
24	T3G1102	Track wheel P assembly	2	4		24a		
25	T3G5110	Side plate B assembly	1	2		25a		
26	T3G801	Name plate B	1	1		26a	26b	26c
27	MS116	Adjusting spacer	15	30		27a		
28	T3G154	Slotted nut	1	2		28a		
29	9009436	Split pin	1	2		29a		
30	MS115	Suspension shaft	1	2		30a		
31	9009436	Split pin	1	2		31a		
32	MS161	Bolt	1	2		32a		
33	MS164	Shaft stopper pin	1	2		33a		
34	MS117	Fixing spacer	4			34a		
35	MS106	Bolt						
36	MS105	Connection plate		4			35a	
37	9012713	Spring washer		2			36a	
38	9093433	Nut		4			37a	
39	9093327	Bolt		4			38a	
40	9012711	Spring washer		1			39a	
41	T3G145	Key plate		1			40a	
42	9093445	Nut		1			41a	
43	9012717	Spring washer		8			42a	
44	T3G144	Suspension shaft		8			43a	
45	T3G143	Stay bolt		1			44a	
46	T3G141	Suspension plate A		4			45a	
47	T3G142	Suspension plate B		1			46a	
48	9009424	Split pin	1	2		48a		

B FOR ELECTRIC HOIST ES

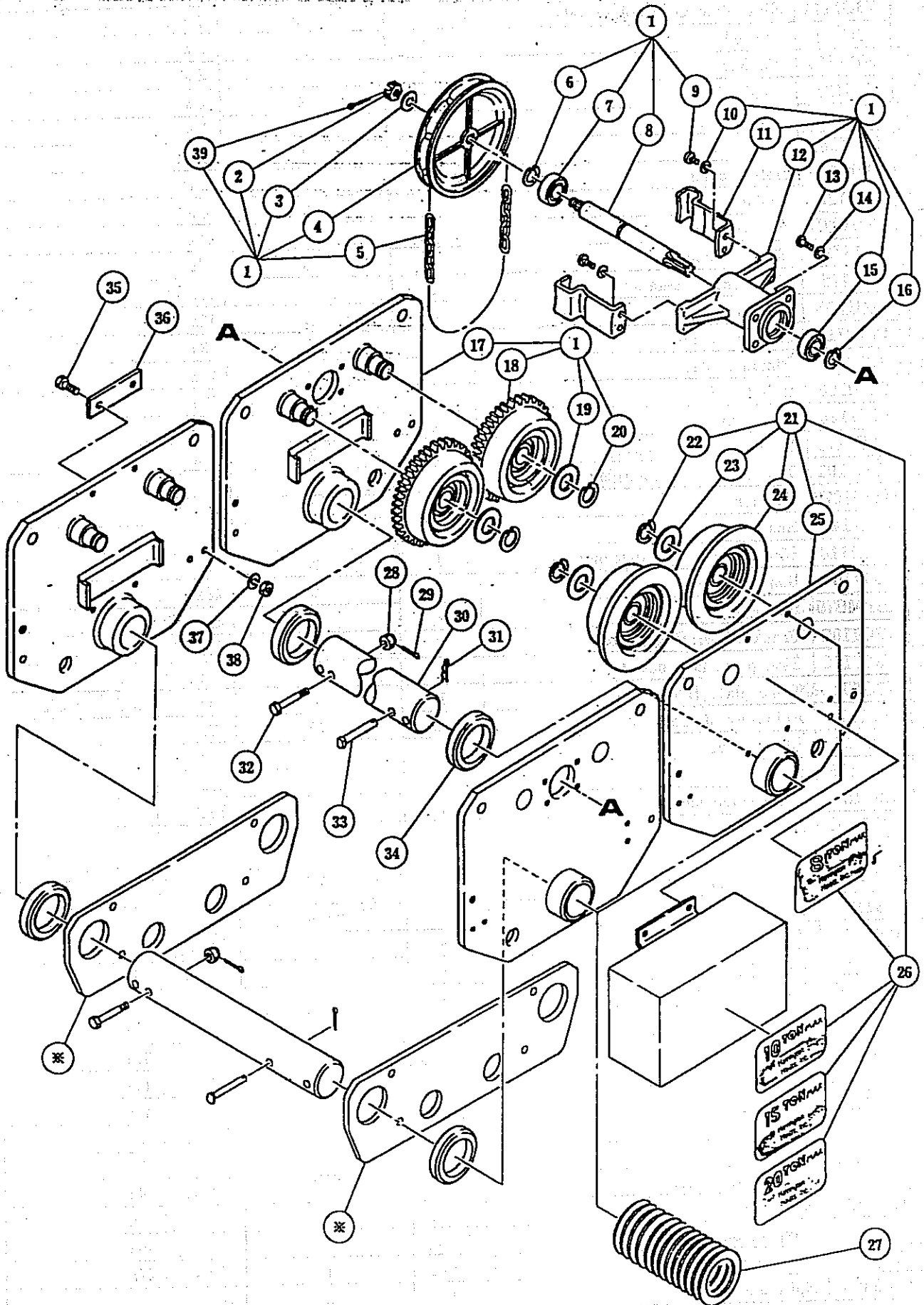
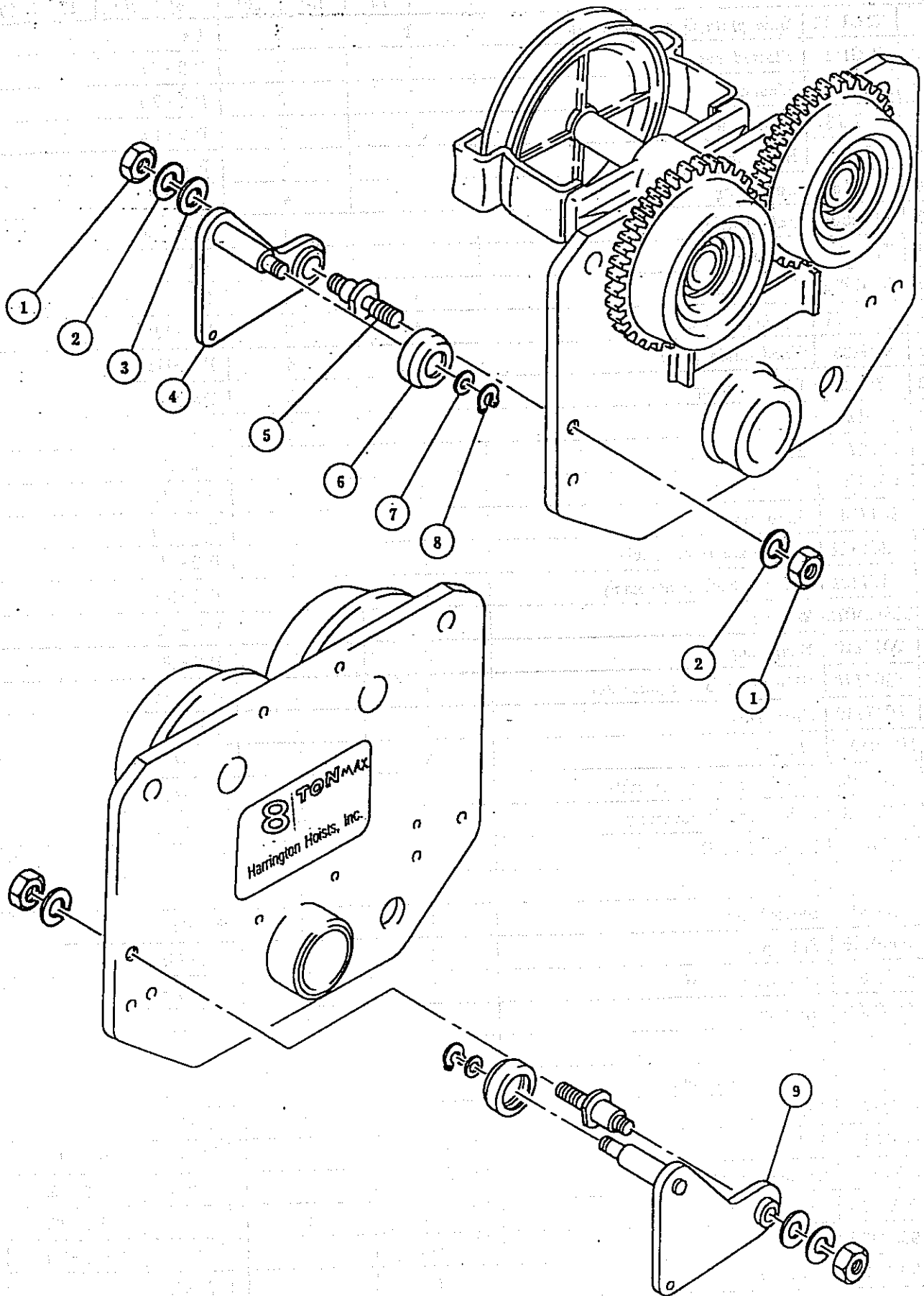


Fig No.	Part No.	Part Name	Nos. per Trolley				Capacity			
			8 ^T	10 ^T	15 ^T	20 ^T	8 ^T	10 ^T	15 ^T	20 ^T
1	T3G1111	Side plate G. complete set	1		2		1 a			
2	T3G151	Slotted nut	1		2		P 2-2 a			
3	9012515	Washer	1		2		P 2-3 a			
4	T3G123	Hand wheel	1		2		P 2-4 a			
5	CF842	Hand chain	1		2		P 2-5 a			
6	9047134	Snap ring	2		4		P 2-6 a			
7	9000506	Ball bearing	2		4		P 2-7 a			
8	T3G121	Pinion	1		2		8 a			
9	9091272	Socket bolt	4		8		P 2-9 a			
10	9012711	Spring washer	4		8		P 2-10a			
11	T3G125	Hand chain guide	2		4		P 2-11a			
12	T3G122	Pinion holder	1		2		12a			
13	9091295	Socket bolt	4		8		P 2-12a			
14	9012712	Spring washer	4		8		P 2-13a			
15	9000506	Ball bearing	2		4		P 2-15a			
16	9047134	Snap ring	2		4		P 2-16a			
17	T3G5111	Side plate G assembly	1		2		P 2-17a			
18	T3G1101	Track wheel G assembly	2		4		P 2-18a			
19	MS104075	Washer	4		8		P 2-19a			
20	9047140	Snap ring	4		8		P 2-20a			
21	T3G1110	Side plate B complete set	1		2		P 2-21a			
22	9047140	Snap ring	4		8		P 2-22a			
23	MS104075	Washer	4		8		P 2-23a			
24	T3G1102	Track wheel P assembly	2		4		P 2-24a			
25	T3G5110	Side plate B assembly	1		2		P 2-25a			
26	T3G801	Name plate B	1		1		26a	P2-26a	P2-26b	P2-26c
27	MS116	Adjusting spacer	15		30		P 2-27a			
28	T3G154	Slotted nut	1		2		P 2-28a			
29	9009436	Split pin	1		2		P 2-29a			
30	MS115	Suspension shaft	1		2		P 2-30a			
31	9009436	Split pin	1		2		P 2-31a			
32	MS161	Bolt	1		2		P 2-32a			
33	MS164	Shaft stopper pin	1		2		P 2-33a			
34	MS117	Fixing spacer	2		2		P 2-34a			
35	MS106	Bolt			4					
36	MS105	Connection plate			2		P 2-35a			
37	9012713	Spring washer			4		P 2-36a			
38	9093433	Nut			4		P 2-37a			
39	9009424	Split pin	1		2		P 2-38a			
							P 2-48a			

* Refer hoist parts list

C. OPTIONAL PARTS FOR ELECTRIC HOIST ES 8T



[The page contains extremely faint and illegible text, likely bleed-through from the reverse side of the document. The text is arranged in several paragraphs across the page.]

