

PARTS LIST

**HARRINGTON
MODEL SH SINGLE PHASE
EF 2 SERIES
PEERLESS
ELECTRIC CHAIN HOIST
1/4 TO 2 TON CAPACITY**

IMPORTANT:

When ordering replacement parts, please specify the following points:

1. Hoist capacity.
2. Model number on name plate.
3. Correct part names and numbers.
4. Lineal length of push button cord, chain lift or power supply cable.
5. Voltages.



HARRINGTON HOISTS, INC. • 401 WEST END AVENUE • MANHEIM, PA 17545
PHONE: 717-665-2000 • TOLL FREE: 800-233-3010 • FAX: 717-665-2861

WESTERN FACTORY WAREHOUSE • 2341 POMONA RINCON RD. #103 • CORONA, CA 91720
PHONE: 909-279-7100 • TOLL FREE: 800-317-7111 • FAX: 909-279-7500

A HOUSING AND MOTOR PARTS

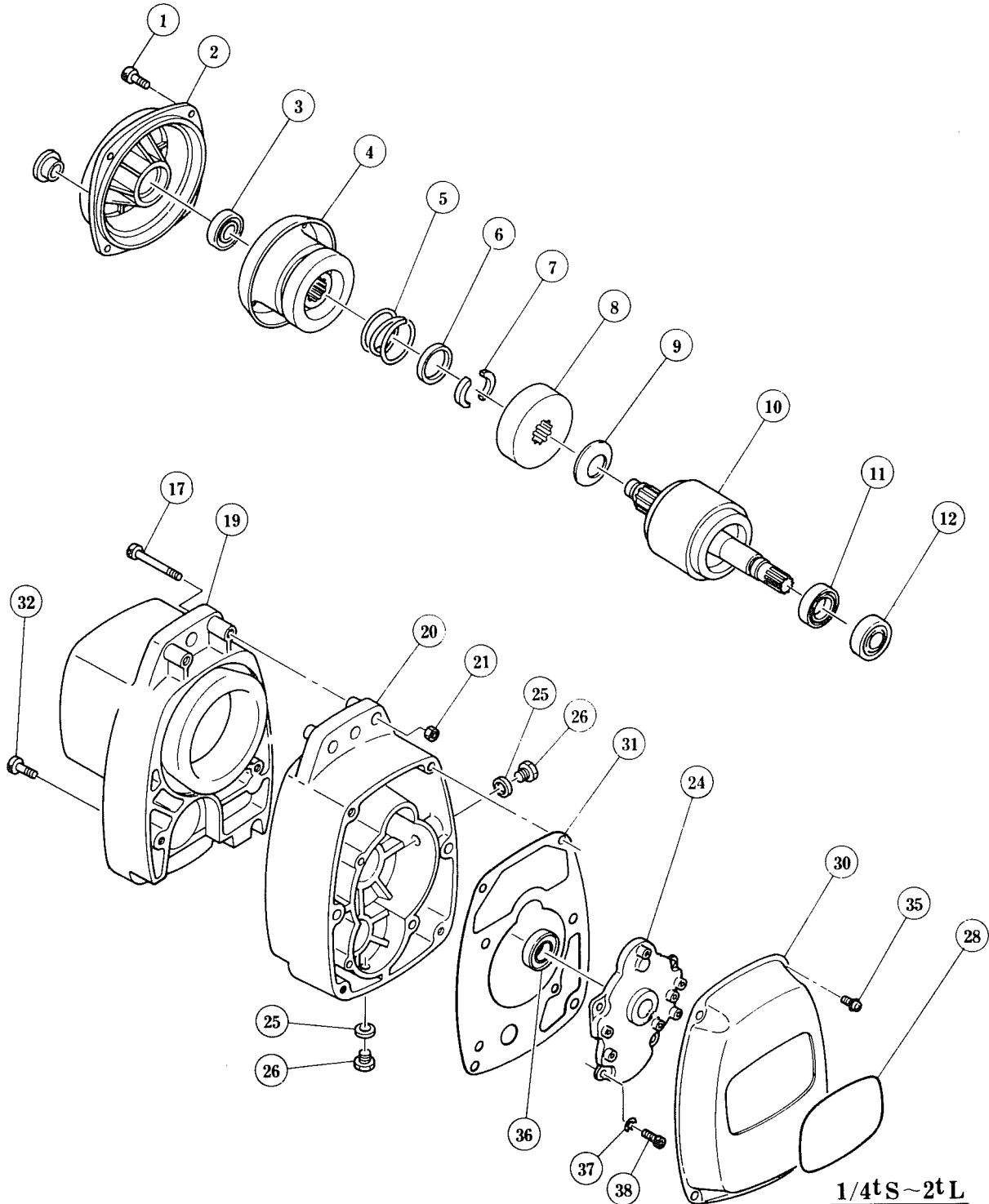


Fig. No.	Part Name	Parts Per Hoist	Capacity					
			1/4-S	1/2-L	1/2-S	1-L	1-S	2-L
1	Socket bolt	4	9091249			9091272		
**2	Motor cover assembly	1	E6F6107003S			E6F6107005S		
*3	Ball bearing	1	9001002			9001003		
4	Brake drum assembly	1	E6FS5212003S			E6FS5212005S		
5	Brake spring	1	E6FS214003S			E6FS214005S		
6	Thrust collar	1	ES506003			ES506010S		
7	Thrust disc	2	ES505003			ES505010S		
8	Pull-rotor	1	ES503003			ES503010S		
9	Coned-disc spring	1	ES504003			ES504010S		
10	Motor shaft with rotor	1	E6FS5502003S		E6FS5502005S	E6FS5502010S		
11	Oil seal	1	E6FS221003S			E6FS221005S		
12	Ball bearing	1	9000103			9000104		
17	Socket bolt	2	9091258			9091283		
19	Body M with stator	1	110V	E6F5102003SC	E6F5102005SC	E6F5102010SC		
		1	220V	E6F5102003SD	E6F5102005SD	E6F5102010SD		
20	Body G	1	E6F101003S			E6F101005S		
21	Nut	2	9093420			9093424		
24	Gear cover	1	E6F113003S			E6F113005S		
25	Plug packing	2				E3S112003		
26	Oil plug	2	E3S111003					
28	Name plate	1	E6FS800 003S	E6FS800 005L	E6FS800 005S	E6FS800 010L	E6FS800 010S	E6FS800 020L
30	Controller cover	1	E6F104003S			E6F104005S		
31	Controller cover packing	1	E6F107003S			E6F107005S		
32	Socket bolt	2	9091253			9091277		
35	Machine screw w/spring washer	4	E6F151003					
36	Oil seal	1	E6F235003S					
37	Spring washer	4	9012709					
38	Socket bolt	4	9091250			9091251		

*When replacing ball bearing, use "Bearing Mount No. 85" from LOCTITE CORP. or equivalent.

**When ordering replacement, specify hoist model number and indicate whether motor cover is cast iron or aluminum.

B GEARING PARTS

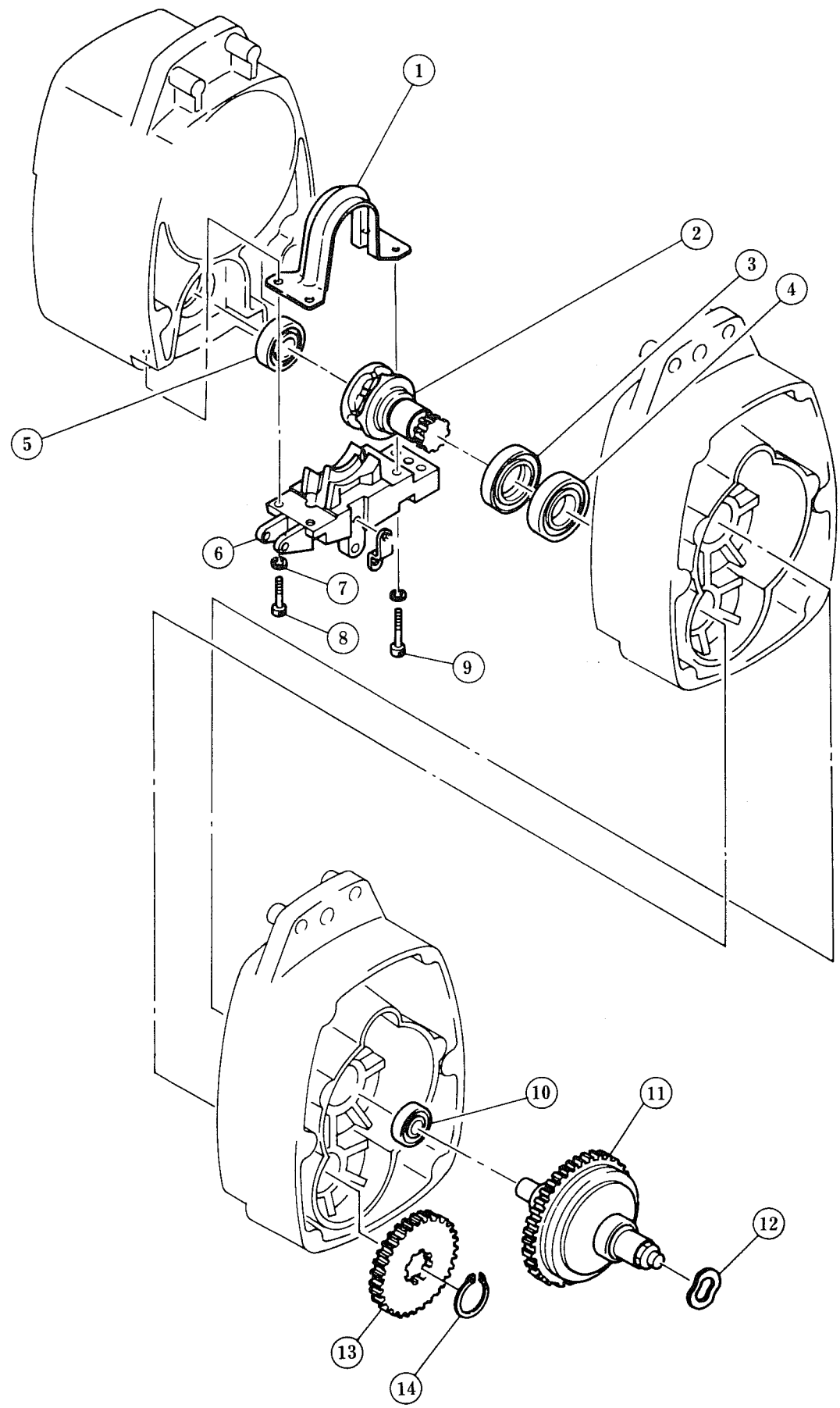


Fig. No.	Part Name	Parts Per Hoist	Capacity					
			1/4-S	1/2-L	1/2-S	1-L	1-S	2-L
1	Chain guide B	1	E6F402003S		E6F402005S		E6F402010S	
2	Load sheave	1	E6F234003S		E6F234005S		E6F234010S	
3	Oil seal	1	E6F236003S		E6F236005S			
4	Ball bearing	1	9000104		9000106			
5	Ball bearing	1	9000504		9000605			
6	Chain guide A	1	E6F401003S		E6F401005S		E6F401010S	
7	Spring washer	4	9012708		9012709			
8	Socket bolt	2	9091231		9091252			
9	Socket bolt	2	9091232		9091253			
10	Ball bearing	1	9000602		9000702			
11	Friction clutch assembly	1	E6F1301003S		E6F1301005S		E6F1301010S	
12	Set spring	1	E6F311003S					
13	Load gear	1	E6F233003S		E6F233005S			
14	Snap ring	1	9047121		9047132			

C CHAINING PARTS

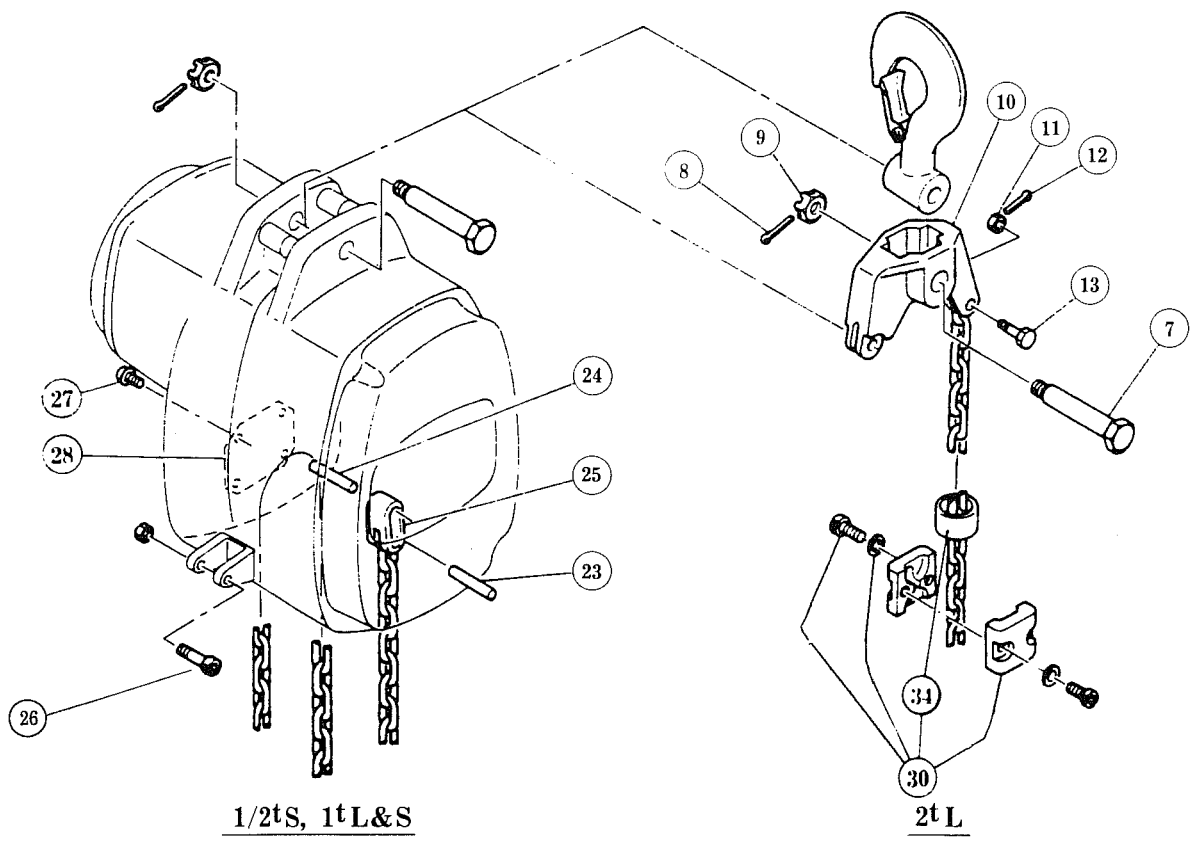
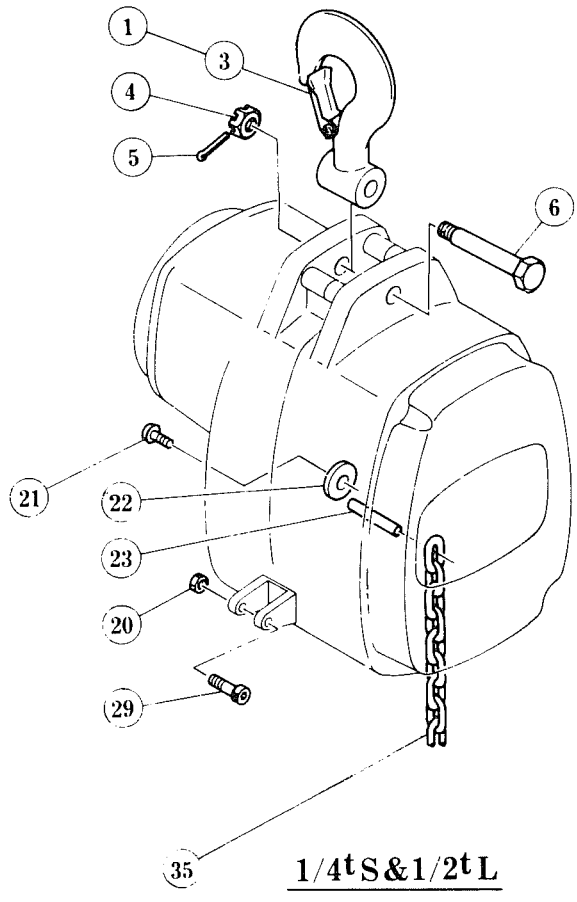
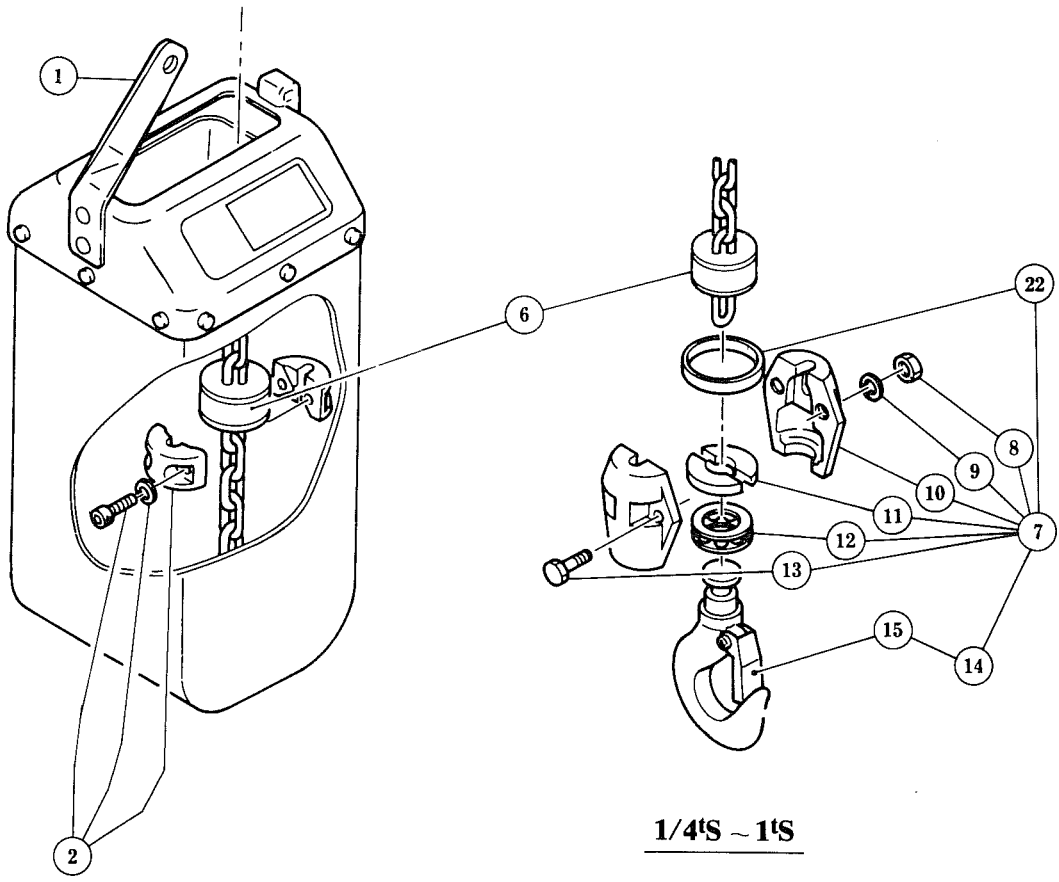
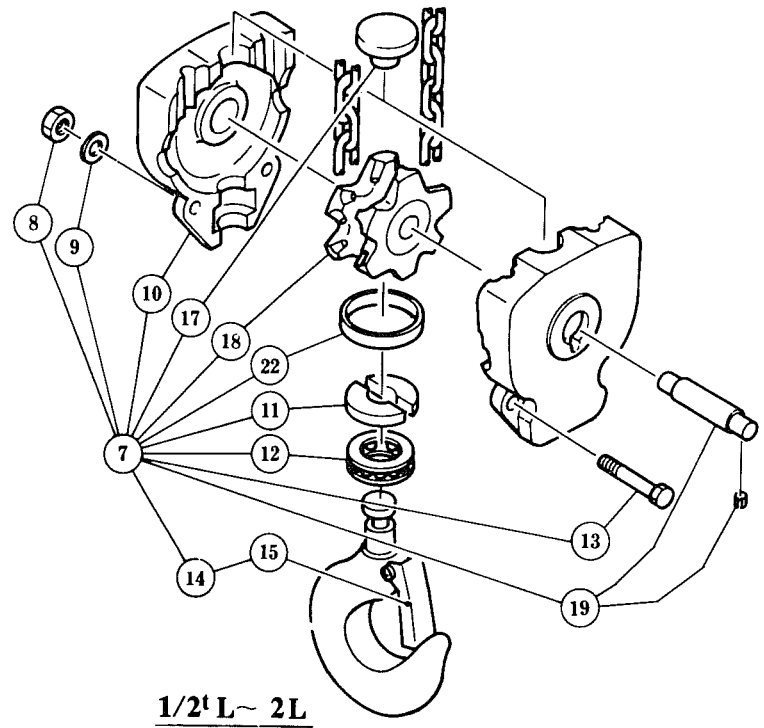


Fig. No.	Part Name	Parts Per Hoist	Capacity																																																	
			1/4-S	1/2-L	1/2-S	1-L	1-S	2-L																																												
1	Top hook assembly	1	ES1001003			ES1001010L		ES1001015																																												
3	Latch assembly	1	CF071010		CF071015			CF071030																																												
4	Slotted nut	1	ES088005L																																																	
5	Split pin	1	9009414-5																																																	
6	Top pin	1	ES117003		ES117005S																																															
7	Top pin L	1							ES006020L																																											
8	Split pin	1													9009425																																					
9	Slotted nut	1																			ES088020L																															
10	Connection yoke	1																									E6F005020L																									
11	Slotted nut	1																															M2049010																			
12	Split pin	1																																					9009413													
13	Chain pin	1																																											ES041020L							
20	U nut	2																																											9098504							
21	Machine screw w/spring washer	1																																											MS554010							
22	Stopper plate	1																																											E6F127003S							
23	Chain pin A	1																																											E6F124003S						E6F124005S	
24	Chain pin B	1																																																	E6F125005S	
25	Suspension plate	1																																																	E6F126005S	
26	Socket bolt	1	9091255																																																	
27	Machine screw w/spring washer	4			E6F151003																																															
28	Cover	1			E6F123005S																																															
29	Socket bolt	1	9091255																																																	
30	Stopper L assembly	1							E6F1036020L																																											
34	Stopper cover	1													E6F037020L																																					
35	Load chain	1	LCES003		LCES005		LCES010																																													

D HOOK PARTS



1/4'S ~ 1'S



1/2'L ~ 2L

Fig. No.	Part Name	Parts Per Hoist	Capacity					
			1/4-S	1/2-L	1/2-S	1-L	1-S	2-L
1	Chain container L	1	ES5830003		ES583005S		ES5830010S	
2	Stopper assembly	1	ES1045003		ES1045005S			
6	Cushion rubber S	1	ES1021003	E6F046003S	ES1021005L	E6F046005S	ES1021010L	E6F046010S
		2	E6F046003S	ES1021005L	E6F046005S	ES1021010L	E6F046010S	ES1021020L
7	Bottom hook Complete Set	1	ES1021003	ES1021005L	ES1021005S	ES1021010L	ES1021010S	E6F1021020L
8	Nut	2	9093420			9093424		
9	Spring washer	2	9012709			9012711		
10	Bottom yoke assembly	1	ES032003	ES032005L	ES032005S	ES032010L	ES032010S	E6F032020L
11	Hook stopper	2	ES027003			ES027010L		ES027015
12	Thrust bearing	1	ES022003			ES022010L		ES022015
13	High strength bolt	2	ES082003			ES082010S		
14	Bottom hook assembly	1	ES2021003	ES2021005L		ES2021010L		ES2021020S
15	Latch assembly	1	CF071010			CF071015		CF071030
17	Cushion rubber L	1	ES1051005L	E6F047005L	ES1051010L	E6F047005L	ES1051010L	ES1051020L
18	Idle sheave assembly	1	ES1051005L	ES1051005L	ES1051010L	ES1051010L	ES1051010L	E6F1051020L
19	Bottom shaft assembly	1	ES5054005L	ES5054005L	ES5054010L	ES5054010L	ES5054010L	ES5054020L
22	Thrust collar A	1	ES026003			ES026010L		ES026015

CONTROL STATION PARTS

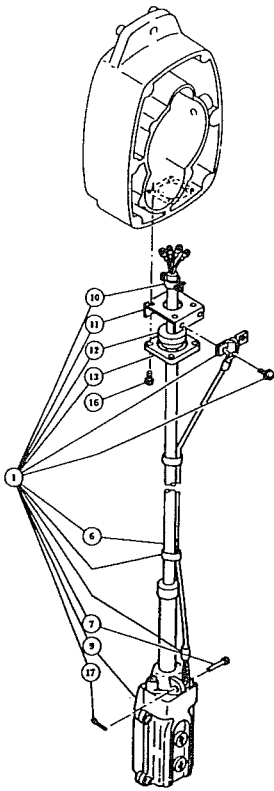


Fig. No.	Part Name	Parts Per Hoist	Capacity					
			1/4-S	1/2-L	1/2-S	1-L	1-S	2-L
1	2 Push button cord Complete set*	1	E6FS1607003					
10	Cable clamp 14 assembly	1	MS1524010					
11	Holder plate U	1	E6F613003					
12	Packing 14	1	E6F523003					
13	Cable holder 42	1	E6F522003					
6	Push button cord 3C	1	16/3P					
7	Cord chain pin	1	ES628003					
17	Split pin	1	9009402					
9	2 Push button switch assembly	1	ES1615S003					
16	Machine screw with spring washer	4	MS561010					

*Standard Length is 6' for 10' Lift.

POWER SUPPLY PARTS

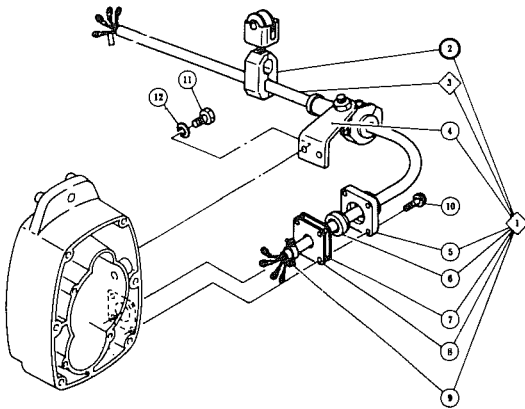


Fig. No.	Part Name	Parts Per Hoist	Capacity					
			1/4-S	1/2-L	1/2-S	1-L	1-S	2-L
1	Power supply cable Complete set*	1	E6FS1521 003					
2	Cable hanger assembly	3	ES1527 003					
3	Power supply cable 4C	1	14/4					
4	Cable clamp arm assembly	1	E6F1822 003S					
5	Cable holder 42	1	E6F522 003					
6	Packing 14	1	E6F523 003					
7	Holder plate 42	1	E6F537 003S					
8	Plate packing	1	E6F536 003					
9	Cable clamp 14 assembly	1	MS1524 010					
10	Machine screw with spring washer	4	MS561010					
11	Bolt	2	9093325					
12	Spring washer	2	9012711					

*Standard Length is 15'.

ELECTRIC PARTS

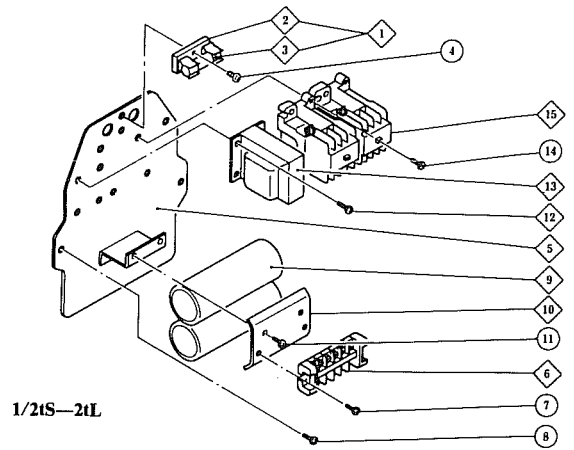
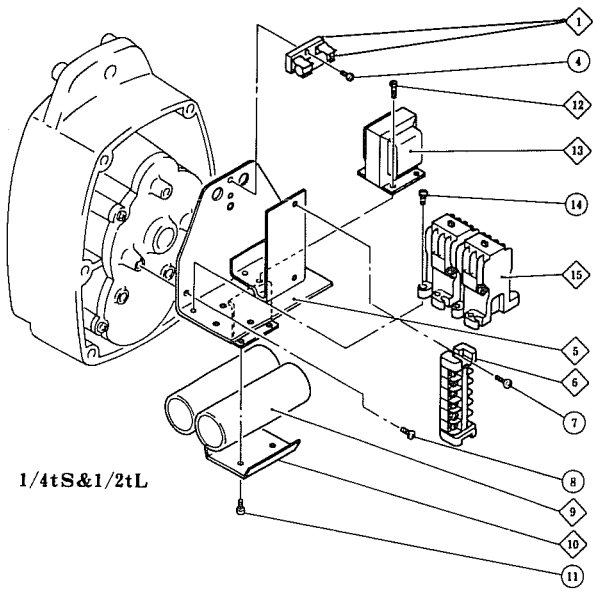


Fig. No.	Part Name	Parts Per Hoist	Capacity					
			1/4-S	1/2-L	1/2-S	1-L	1-S	2-L
1	Fuse assembly	1	110V	E6FS1632003SC	E6FS1632010SC			
		1	220V	E6FS1632003SD	E6FS1632010SD			
4	Machine screw w/spring washer	2	MS557010					
5	Panel assembly	1	E6FS5601 003S	E6FS5601005S				
6	Terminal plate 6P	1	MS518 010					
7	Machine screw w/spring washer	2	MS557010					
8	Machine screw w/spring washer	2	E6F151003					
9	Condenser assembly	1 PR.	110V	E6FS1631 003SC	E6FS1631 005SC	E6FS1631 010SC		
			220V	E6FS1631 003SD	E6FS1631 005SD	E6FS1631 010SD		
10	Condenser holder	1	E6FS636 003S					
11	Machine screw w/spring washer	2	M6F554010					
12	Machine screw w/spring washer	4	MS555010					
13	Transformer	1	110V	E6FS 616 003SC				
			220V	E6FS 616 003SD				
14	Machine screw w/spring washer	4	MS557010					
15	Electromagnetic contactor	2	EE702 005					

EF 2B SERIES

ADDITIONAL PARTS LIST

Limit Switch Assembly

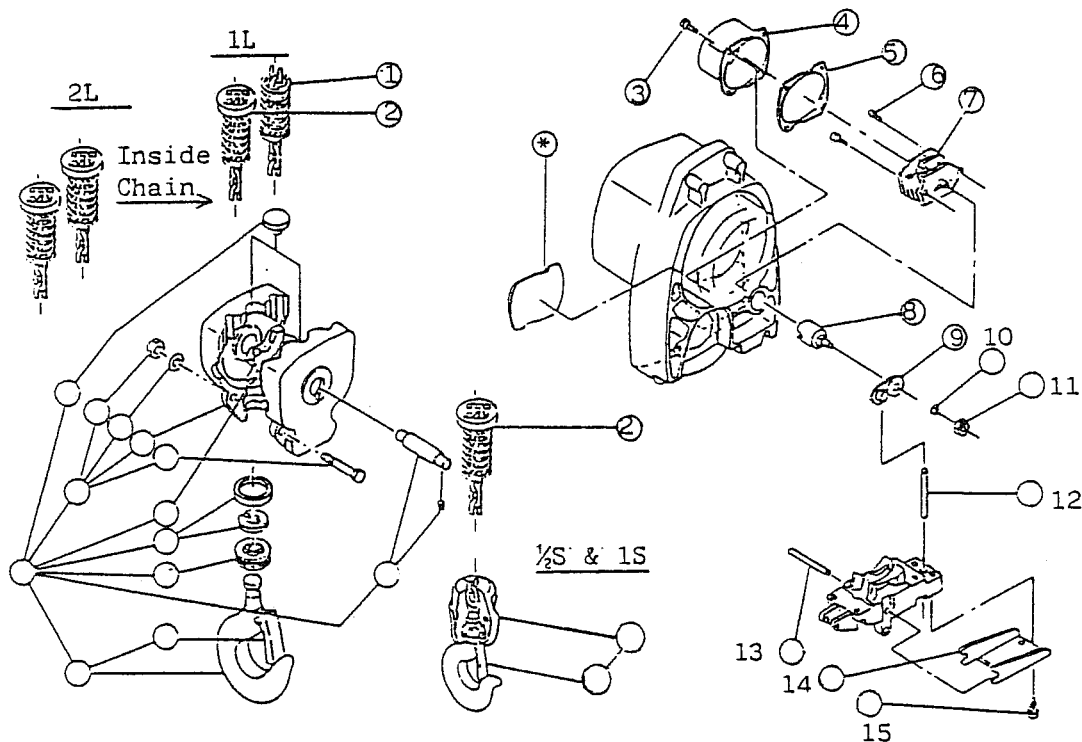


Fig. No.	Part Name	Parts Per Hoist	Capacity			
			1/2-S	1-L	1-S	2-L
1	Chain spring	1	E6FSL047 005S		E6FSL047 010S	
		2		E6FSL047 005S		E6FSL047 010S
2	Protection disc	1	E6FSL048005S		E6FSL048010S	
		2				
3	Machine screw w/spring washer	4	E6F151003			
4	Switch cover	1	E6FSL108005S			
5	Switch cover packing	1	E6FSL110005S			
6	Machine screw w/spring washer	2	E6F151003			
7	Limit switch assembly	1	E6FSL619005S			
8	Limit lever pin	1	E6FSL406005S			
9	Lever pin arm	1	E6FSL405005S			
10	Washer	1	9012709			
11	U nut	1	9098504			
12	Push rod	1	E6FSL410005S			
13	Plate hanger pin	1	E6FSL407005S			
14	Switch plate	1	E6FSL409005S		E6FSL409010S	
15	Bolt	1	E6FSL411005S			
*	Plate L/S	1	E6FSL115010L			

Figure No. 1: Part No. E6F046 Cushion Rubber S onto hook in single fall is not required.

Figure *: Plate L/S is required for all capacity model which is not installed with limit switch assembly.